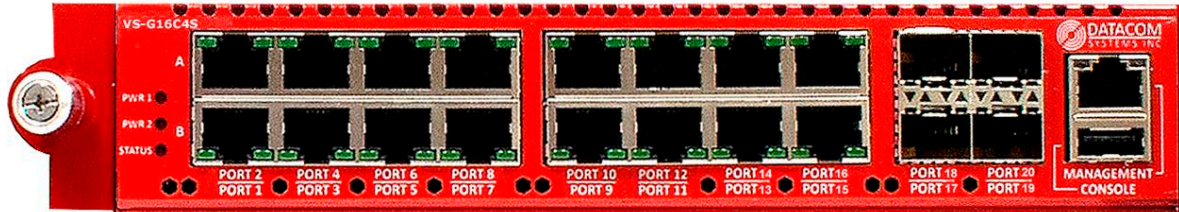




# VERSAsystem™ VS-G16C4S

20 port 1G copper Network Packet Broker with 10G interconnects and high density mesh capability



## Scalable, flexible, powerful and compact

The VERSAsystem VS-G16C4S Network Packet Broker is a compact and flexible solution for aggregating and distributing data from SPAN port and/or TAP sources, to monitoring tools. It provides 16 copper 10/100/1000 ports and four SFP+ ports (supporting 1G or 10G - copper or fiber.) The SFP+ ports are used as 10G copper or fiber interconnects, or Monitor ports, and also support DAC (Direct Attach Cables.)

## Data Filtering

Aggregating presents oversubscription and packet loss risk - even with 1G sources sent to 10G tools. Line-rate hardware based L2 to L4 filtering allows users to filter and select only specific traffic of interest.

## Aggregation and Replication

Any-to-Any functionality allows aggregation to single tools, and replication to multiple tools. Any port may be used as an input or output.

## Related Products

Other solutions based on this chassis include SINGLEstream models SS-G4C4S and SS-G8C4S, which tap 4 or 8 links respectively, as well as single, dual, and quad link bypass switches for protection of in-line tools. All of these products have identical mesh functionality, filtering capability, and load balancing.

## Highlights

- Consolidate tools for reduced cost
- Monitor 1G sources with 10G tools
- Share scarce SPAN and Tap monitor ports without maintenance windows

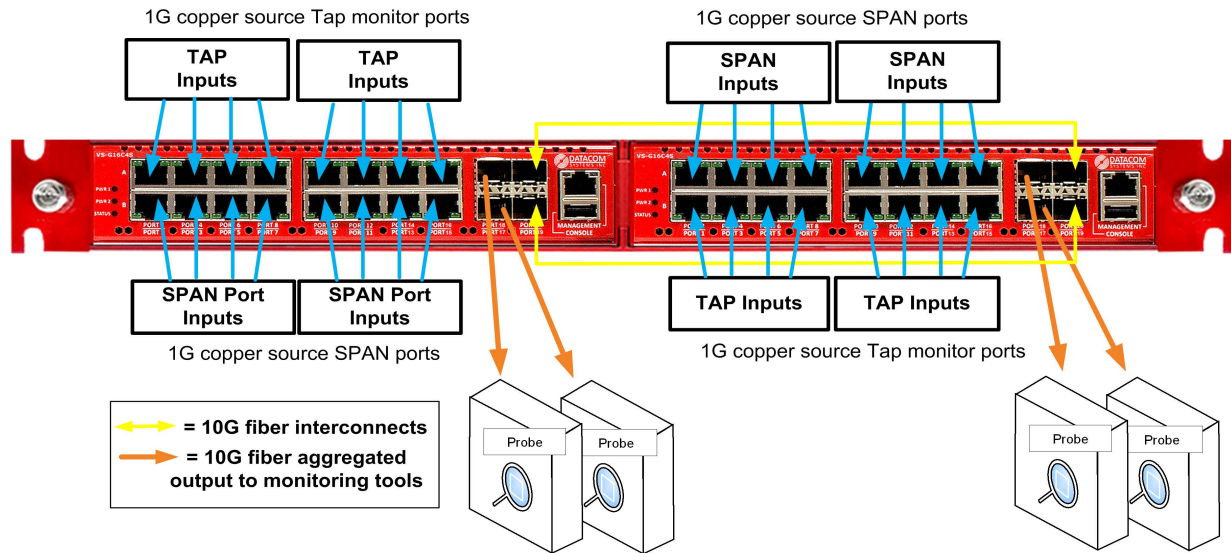
## Features

- Up to 32 10/100/1000 and 8 SFP + ports in 1RU (requires two units)
- SFP+ ports support 1G/10G fiber, 10/100/1000/10G copper, and DAC
- SFP+ ports support 1G/10G fiber, 10/100/1000/10G copper, and DAC
- Load Balance sessions across multiple outputs for monitoring redundancy
- Filter to reduce port oversubscription or tool throughput limitations
- Filter on – Ipv4 Src/Dst Address; MAC Address; Protocol, Port, and Ethertypes ( e.g. MPLS, VLAN, IPv6 Src/Dst Address)
- Aggregate multiple links or channels into one stream or replicate copies to multiple tools
- SNMP, SYSLOG and email notification mechanisms
- Radius, TACACS+ authentications
- Redundant power sources and fans



# VERSAstream™ VS-G16C4S

20 port 1G copper Network Packet Broker with 10G interconnects and high density mesh capability



- Redundant load sharing power supplies
- Compact design allows two units to be installed in a 1RU rack space
- Supports 10/100/1000 copper, as well as 1G and 10G copper and fiber
- Any-to-Any design allows ports to be used as inputs, outputs, or interconnects between units

## Technical Specifications

### Ports

Any-to-Any Ports: Sixteen (16) copper 10/100/1000 and four (4) SFP+ ports  
 Management Port: RJ45  
 Console Port: USB Device Mode

### Dimensions (HxWxD)

1.58" x 8.25" x 11.93" (4.01 x 20.96 x 30.30 cm)

**Weight:** 4.75 lbs (2.2 Kg)

### Environmental

Operating Temperature: 32°F to 131°F (0°C to 55°C)  
 Storage Temperature: -22°F to 149°F (-30°C to 65°C)  
 Humidity: 5% to 95% non-condensing

### Power Requirements:

Two (2) External AC Adapters Redundant Hot Swappable Power Supplies (Included)  
 Individual Power Supply Rating: 100-240V 50-60Hz 1.3A Maximum Power Consumption: 60 Watts or less

**Safety:** CB IEC 62368-1

**Emission:** FCC, EN, ICES-003

### Standards

FCC 47CFR PT 15 SPT B:2017  
 ICES-003 Issue 6:2016  
 CENELEC EN 55032:2012

**Certifications:** CE, RoHS

### Warranty

One Year Hardware and Software support included.  
 Premium Support option available

### Filtering

IPv4 Address Sources and Destinations, Subnets  
 MAC Address Sources and Destinations  
 Ports  
 Ethertype  
 VLAN  
 IPv6 Address Sources and Destinations, Subnets

### ORDER INFORMATION

Product	Description
VS-G16C4S	20 Port network packet broker w/sixteen (16) copper 10/100/1000 ports and four (4) SFP+ ports
SFP-RJ45	10/100/1000BT copper SFP transceiver module
SFP-RJ45-10G	10G copper SFP+ transceiver module
SFP+ SR/SX	10G/1G SFP transceiver module (50 or 62.5 micron 300m)
SFP+ LR/LX	10G/1G SFP+ transceiver module (9 micron 10km)
SFP+DAC(2M)	10G SFP+ 2 meter direct attach passive cable

Other transceivers and DAC cable lengths available on request

RMC-2G Rack mount chassis - fits two units into 1RU