



CTP-1000

10/100/1000 Link Aggregation Tap



CTP-1000

The CTP-1000 tap can be installed between any two network devices, such as firewalls, routers, etc. - allowing traffic to flow between them. Copies of Rx and Tx link data are made, and provided to tools for security or monitoring purposes.

Aggregation and Regeneration Mode

This mode combines the Rx and Tx copies of tapped link data into a single data stream. Both monitor ports receive identical copies of the aggregated data. The regenerated data eliminates contention for access to critical links, allowing two tools to monitor the same link. This mode also allows tools with a single capture NIC, such as laptop PC's running Wireshark, to view both sides of the duplex conversation.

Non-Aggregation Mode

Non-aggregation mode sends the Tx and Rx data copies to separate monitor ports. This eliminates the risk of dropped packets in the tap, which can be caused by merging data copies from links that spike over 50% aggregate utilization.

Note: Dual capture NIC tools and software that recombines the data must be used.

Failsafe Passive Bypass

The CTP-1000 includes load sharing redundant power supplies. In the unlikely event of total power loss, a relay based passive bypass system allows data to continue flowing on the tapped link. There is a momentary interruption of ~3.2 second link upon power loss, and another of ~3 seconds when power is restored.

Reliable and Easy to Use

Unlike setting up operating systems and binding NICs for dual receive tools, the CTP-1000 is simple to deploy. A convenient switch on the back of the device allows users to choose between Aggregation and Non-Aggregation modes. After setting the aggregation switch, the device is plug and play. There is no other configuration or setup necessary for this easy to use, reliable device.

Security

The CTP-1000 cannot have an IP Address assigned it, and has no MAC address - it is invisible to the network. Use it when you want to collect and capture packets for a security or storage application. The copy of traffic into the security or monitoring tool is one-way. The tap can't become a point of access for hackers, nor can anyone get to the security probe or recording device through the tap (since the traffic is one way.)

HIGHLIGHTS

- View entire full-duplex conversations using single-interface monitoring tools
- Decrease reliance on switch resources for network management visibility.
- Eliminate SPAN port contention, oversubscription risk, and configuration errors
- Deploy tools immediately without impacting your production network
- Easily share tap ports for improved monitoring without maintenance windows
- Single point of deployment and remote management minimizes management expenses and MTTR
- Easy to deploy- switch selects Aggregation/Non-aggregation mode

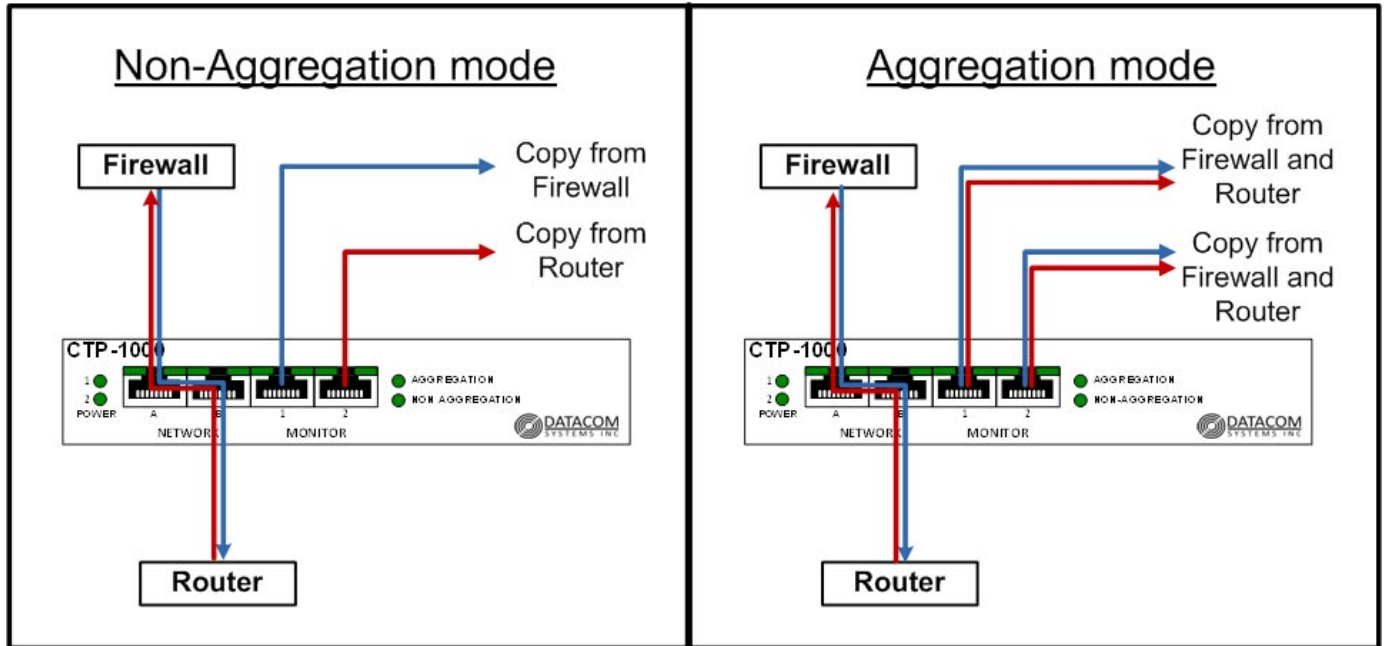
FEATURES

- Aggregation - Combine multiple network links or channels into one stream for visibility into complete network conversations
- Regeneration - Send copies of traffic from the tap to multiple connected tools to share data sources
- Power over Ethernet (POE) supported on Network Ports
- Supports packet sizes up to 10240 bytes
- No configuration or management settings
- Auto Negotiate Settings for 10/100/1000Mbps
- Stays invisible to the network for enhanced security



CTP-1000

10/100/1000 Link Aggregation Tap



Technical Specifications

Ports

Network: One (1) 10/100/1000 Network Tap (RJ45)
Monitoring: Two (2) 10/100/1000 Any-to-Any Ports (RJ45)

Dimensions (H x W x D)

1.07 x 5.00 x 5.00 in (2.7 x 12.72 x 12.7 cm)

Weight

12 oz. (0.34 kgs)

Environmental

Operating Temperature: 32° to 104°F (0° to 40°C)
Storage Temperature: -22° to 149°F (-30° to 65°C)
Humidity: 5 to 90% non-condensing < 25 BTU/h

Power Requirements

Two (2) External AC Adapters (included)
Input: 100-240 VAC, 50-60Hz, Max. 50mA at 120VAC

MTBF

60K hours @ 25°C

Certifications

CE, RoHS, CAN ICES-3 (A)/NMB-3(A), FCC Part 15 Class B

Warranty

One (1) Year Hardware and Software support included.
Premium Support option available

ORDER INFORMATION

| Product | Description |
|--------------------|--|
| CTP-1000 | 10/100/1000 Link Aggregation Tap with 2 - 10/100/1000 Monitoring Ports |
| | Redundant AC power supplies, region specific power cables and mounting bracket (for use with optional RMC rack mounts) |
| Optional Equipment | |
| RMC-3 | 3-TAP 1U Rack Mount Chassis |
| RMC-12-3 | 12-TAP 4U Rack Mount Chassis |