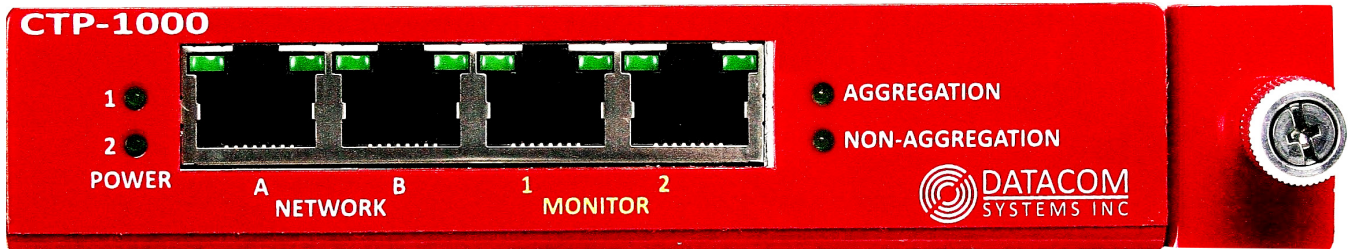




CTP-1000

10/100/1000 Link Aggregation Tap



CTP-1000

The CTP-1000 tap can be installed between any two network devices, such as firewalls, routers, or switches, and allows traffic to flow between these points. A copy is made of the link data, and is provided to network appliances or tools for application, security or recording purposes.

Aggregation Mode

In this mode, the Rx and Tx copies from of the tapped link are combined into a single monitor port output. This allows a tool with a single port to monitor full duplex communication on a network link. Both monitor ports receive identical copies of the aggregated data.

Non-Aggregation Mode

Non-aggregation mode allows the monitor ports to run at full line rate, with no risk of dropped packets. This is a popular choice when security or packet analyzers need to see every packet. Analyzers and probes connected to 1 Gigabit links are able to receive a maximum of 1 Gigabit per port. In cases where you want to receive at line rates on a network link, use non-aggregation mode. Note: Tools with two capture NICs and the capability to recombine the data must be used.

Regeneration

In Aggregation mode, the tap generates two copies of identical network traffic to provide multiple tools monitoring access to the same link. In addition to eliminating contention for access to critical links, multiple tools can be connected to the same link for redundancy, testing, or advanced monitoring applications.

Reliable and Easy to Use

Unlike setting up operating systems and binding NICs, the CTP-1000 is simple to deploy, and every unit comes with dual redundant power supplies to ensure monitoring uptime. A convenient switch on the back of the device allows users to choose between Aggregation and Non-Aggregation modes. After setting the aggregation switch, the device is plug and play. There is no other configuration or setup necessary for this easy to use, reliable device.

Security

The CTP-1000 cannot have an IP Address assigned it, and has no MAC address - it is invisible to the network. Use the CTP-1000 when you want to collect and capture packets for a security or storage application. The copy of traffic into the security or monitoring tool is one-way, so the tap won't become a point of access for hackers, nor can anyone get to the security probe or recording device through the tap (since the traffic is one way.)

HIGHLIGHTS

- View entire full-duplex conversations using single-interface monitoring tools
- Decrease reliance on switch resources for network management visibility. Eliminate SPAN port contention, oversubscription, and configuration errors
- Deploy tools immediately without impacting your production network
- Easily share tap ports for improved monitoring without maintenance windows
- Single point of deployment and remote management minimizes management expenses and MTTR
- Easy to deploy- switch selects Aggregation/Non-aggregation mode

FEATURES

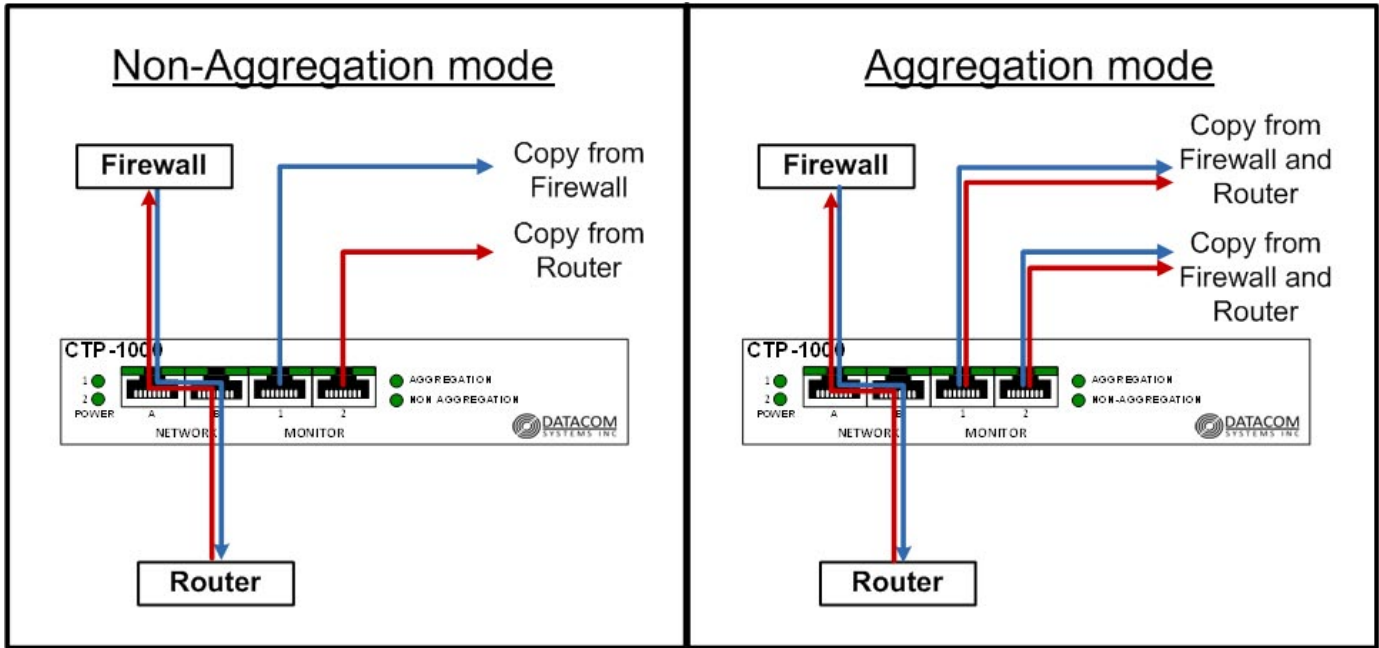
- Aggregation - Combine multiple network links or channels into one stream for visibility into complete network conversations
- Regeneration - Send copies of traffic from the tap to multiple connected tools to share data sources
- Power over Ethernet (POE) supported on Network Ports
- Supports packet sizes up to 10240 bytes
- No configuration or management settings
- Auto Negotiate Settings for 10/100/1000Mbps
- Stays invisible to the network for enhanced security
- Dual Redundant Power ensures monitoring uptime.





10/100/1000 Link Aggregation Tap

CTP-1000 Application



Technical Specifications

Ports

Network: One (1) 10/100/1000 Network Tap (RJ45)
Monitoring: Two (2) 10/100/1000 Any-to-Any Ports (RJ45)

Dimensions (H x W x D)

1.07 x 5.00 x 5.00 in (2.7 x 12.72 x 12.7 cm)

Weight

12 oz. (0.34 kgs)

Environmental

Operating Temperature: 32° to 104°F (0° to 40°C)
Storage Temperature: -22° to 149°F (-30° to 65°C)
Humidity: 5 to 90% non-condensing
Heat emission: < 25 BTU/h

Power Requirements

Two (2) External AC Adapters (included)
Input: 100-240 VAC, 50-60Hz, Max. 50mA at 120VAC

MTBF

60K hours @ 25°C

Certifications

CE, RoHS, CAN ICES-3 (A)/NMB-3(A), FCC Part 15 Class B

Warranty

One (1) Year Hardware Warranty
Extended Support available

ORDERING INFORMATION

Product

CTP-1000

Description

10/100/1000 Link Aggregation Tap with 2 - 10/100/1000 Monitoring Ports

Redundant AC power supplies, region specific power cables and mounting bracket (for use with optional RMC rack mounts)

Optional Equipment

RMC-3

2-Unit Rack Mount

RMC-12-3

12-Unit Rack Mount