

FTP-1514 FASTstart Guide



What is included?

- (1) Fiber tap w/ mounting bracket (for use with RMC-2, RMC 12-2 or RMC-3, RMC 12-3)
- (1) Download Card/Faststart Guide (tells where to download more product information)

Fiber taps allow you to make a copy of network traffic as it travels between two network devices. These highly reliable, non-powered devices are the perfect solution to collect and capture network traffic for application analysis.

The FTP-1514 taps a 40G MTP link and sends copies of the traffic out two 40G MTP monitor ports, one for each direction of traffic.

Installation Follow the wiring diagrams shown below. Make sure to clean all connectors with compressed air and clean patch cable connectors prior to installation.

Typical Insertion loss ratios 50/50 Split - Network ports: 4.6 dB, Monitor ports: 4.6 dB
70/30 Split - Network ports: 6.6 dB, Monitor ports: 2.6 dB

Legend	
	Router to Switch Traffic
	Switch to Router Traffic
	Copy of Traffic from Router
	Copy of Traffic from Switch

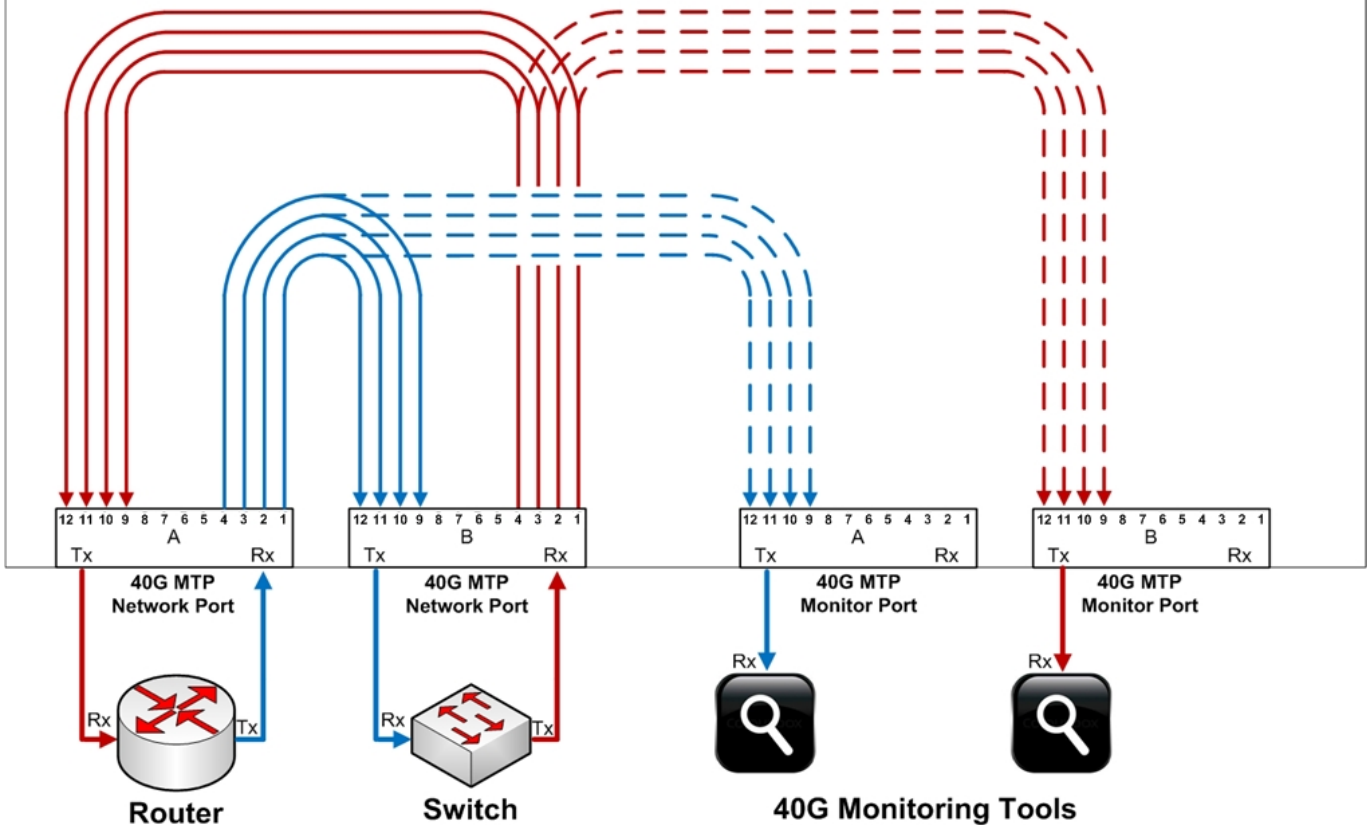
The FTP-1514 fiber tap sits on a 40G MTP link and outputs a copy of the data to two 40G MTP monitor ports.

The FTP-1514 fiber tap is completely passive and non-powered, meaning that it does not affect network performance or integrity. Invisible to the network.

Traffic is transmitted to pins 12,11,10 and 9 on the monitoring ports.

www.datacomsystems.com

FTP-1514



Find out more. Visit www.datacomsystems.com

For More information

Customer Service is available from our website: www.datacomsystems.com or by calling +1 315 463 9541