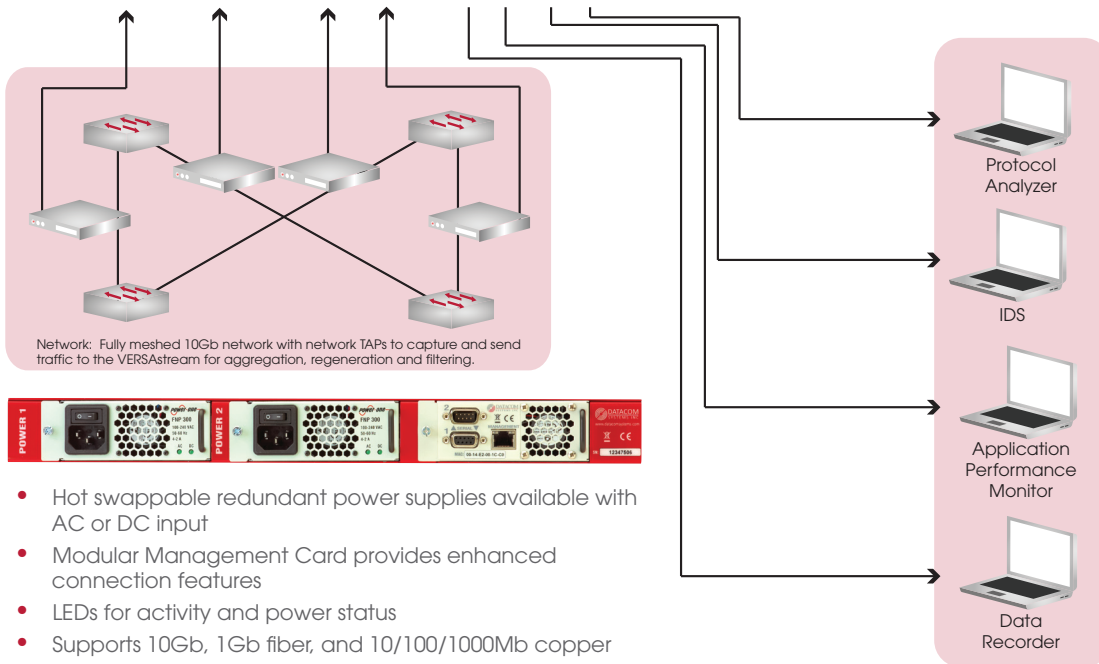




VERSAstream™ 1112

12 Port Any-to-Any Switch with Load Balancing. VS-1112-F



Technical Specifications

ANY TO ANY PORTS

Eight (8) 1Gb ports and Four (4) 10Gb ports
 (Supports SFP+ SR, LR, LRM, SFP SX, LX, BT)
 Management Port: RJ45
 Console Port: DB9

POWER REQUIREMENTS

Dual Redundant Hot Swappable Power Supplies (Included)
 Maximum Power Consumption: Less than 200 Watts
 Individual Power Supply Rating: 100-240V ~47-63Hz 4A MAX.

CERTIFICATIONS

CE, RoHS

DIMENSIONS (HXWXD)

1.72 x 19.00 x 21.00 in (4.37 x 48.26 x 53.34 cm)

WEIGHT

18.15 lbs (8.23 kgs)

ENVIRONMENTAL

Operating Temperature: 32° to 131°F (0° to 55°C)
 Storage Temperature: -22° to 149°F (-30° to 65°C)
 Humidity: 5 to 95% non-condensing

WARRANTY

One (1) Year Hardware Warranty included. Advanced Replacement-Next Day, third business day options available.

FILTERING

IPv4 Address Sources and Destinations, Subnets
 MAC Address Sources and Destinations
 Ports
 Ethertype
 VLAN
 IPv6 Address Sources and Destinations, Subnets

ORDER INFORMATION

Product

VS-1112-F

SFP+-SR/SX

SFP+-LR/LX

SFP-RJ45

SFP-SX

Description

VERSAstream™ 12 Port Data Access Switch SFPs
 SR (50 or 62.5 micron)
 LR (9 micron)
 10/100/1000BT
 SX (50 or 62.5 micron)

Find out more. Visit www.datacomsystems.com

