



VERSAstream™ 1012

12 Port Any-to-Any Switch with Load Balancing. VS-1012-F

Flexible, Any-to-Any Line-Rate Hardware Based Load Balancing and Packet Filtering for Cost Effective Data Capture and Monitoring Applications

Data Capture Infrastructure Optimizes Network Monitoring and Increases Efficiency

Networks are growing more complex, carrying more services, higher volumes of multi-protocol network traffic, and requiring greater bandwidth. At the same time, network and security personnel are required to monitor and analyze more links in greater detail throughout the network in order to meet application performance demands, minimize security threats, and meet regulatory compliance.

Datacom Systems helps solve many of today's most pressing tool deployment problems by allowing organizations to conveniently connect 1G test and monitoring tools to any traffic on the network.

Load Balancing

Balance traffic across multiple ports to allow growth as the volume of data increases. Load balancing helps prevent loss of data by enabling deployment of redundant security tools that can back each other up, in the event of failure while their software updates. As link utilization increases, you need to be able to distribute traffic across more analysis tools. Load balancing allows you to extend the life of existing devices as your network traffic increases.

Data Filtering

Instead of tools attempting to keep up with aggregate traffic streams, the VERSAstream can apply packet filters to the data to increase tool efficiency and eliminate port oversubscription. Line-rate hardware filtering on each port allows you to customize and streamline the amount and type of data each connected monitoring tool receives. Because they are receiving only traffic of interest, tools run faster, data is more manageable, and issues are resolved quicker. Command line filtering uses Wireshark™ based syntax.

Aggregation (Many-to-Any)

Many-to-Any monitoring access aggregates network traffic and provides visibility for one or more monitoring tools. Aggregate and reassemble full duplex conversations from one or more trunked links. Perfect for tools that don't support multiple monitoring interfaces or for redundant networks, EtherChannel, load balanced servers, and asymmetrically routed traffic.

Regeneration (Any-to-Many)

Any-to-Many configurations replicate copies of identical network traffic to provide multiple tools with monitoring access to the same links. In addition to eliminating contention for scarce SPAN ports and test access points, multiple tools can be connected to the same link for redundancy, testing, or advanced monitoring applications.

Port Steering (Any-to-Any)

Any of the ports can be configured as input (network) or output (monitoring) ports on the fly through an easy to use command line interface (CLI) or Web-based management.

Highlights

- Consolidate monitoring tools to reduce management expenses and lower tool costs
- Single point of deployment and remote management minimizes management expenses and reduces MTTR
- More efficient use of monitoring resources
- Easily share scarce SPAN ports and test access points without maintenance windows or approval
- No built in taps - Deploy tools right away without impacting your production network, simplifies the change control process

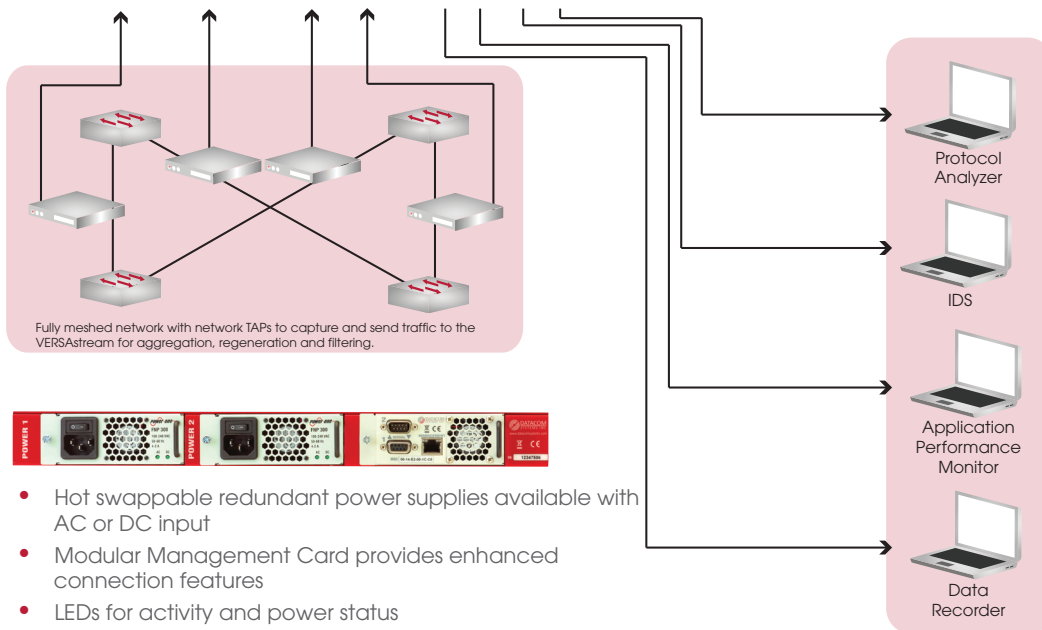
Features

- Load Balancing - Balance sessions across multiple outputs for monitoring redundancy
- 240 Gbps backplane
- All ports active with full features no per port licensing. Input from passive TAPs or SPANs.
- Filtering - Line-rate hardware-based filtering can eliminate port oversubscription.
- Filter on IPv4 Src/Dst Address, MAC Address, Protocol, Port, Ethertypes i.e. MPLS, VLAN, IPv6 Src/Dst Address
- Aggregation/Regeneration - Combine multiple network links or channels into one stream or send copies to multiple connected tools to share data sources
- Media Conversion - Leverage existing monitoring tools regardless of media type
- Manage device remotely or locally with Web-based management (HTTPs) or extensive CLI (telnet/SSH)
- SNMP v2c, v3c
- RADIUS, TACACS+



VERSAstream™ 1012

12 Port Any-to-Any Switch with Load Balancing. VS-1012-F



- Hot swappable redundant power supplies available with AC or DC input
- Modular Management Card provides enhanced connection features
- LEDs for activity and power status
- Supports 1Gb fiber, and 10/100/1000Mb copper

Technical Specifications

ANY TO ANY PORTS

Any-to-Any Ports: Twelve (12)
 (Supports SFP SX, LX, BT)
 Management Port: RJ45
 Console Port: DB9

POWER REQUIREMENTS

Single or Dual Redundant Hot Swappable Power Supplies (Included)
 Maximum Power Consumption: Less than 200 Watts
 Individual Power Supply Rating: 100-240V ~47-63Hz 4A MAX.

CERTIFICATIONS

CE, RoHS

DIMENSIONS (HXWXD)

1.72 x 19.00 x 21.00 in (4.37 x 48.26 x 53.34 cm)

WEIGHT

18.15 lbs (8.23 kgs)

ENVIRONMENTAL

Operating Temperature: 32° to 131°F (0° to 55°C)
 Storage Temperature: -22° to 149°F (-30° to 65°C)
 Humidity: 5 to 95% non-condensing

WARRANTY

One (1) Year Hardware Warranty included. Advanced Replacement-Next Day, third business day options available.

FILTERING

IPv4 Address Sources and Destinations, Subnets
 MAC Address Sources and Destinations
 Ports
 Ethertype
 VLAN
 IPv6 Address Sources and Destinations, Subnets

ORDER INFORMATION

Product

VS-1012-F
 VS-1012-F-1 pwr
 SFP-SX
 SFP-LX
 SFP-RJ45

Description

VERSAstream™ 12 Port Data Access Switch SFPs Dual Power Supply
 VERSAstream™ 12 Port Data Access Switch SFPs Single Power Supply
 SX (50 or 62.5 micron)
 LX (9 micron)
 10/100/1000BT

Rack mount included.

Find out more. Visit www.datacomsystems.com

