

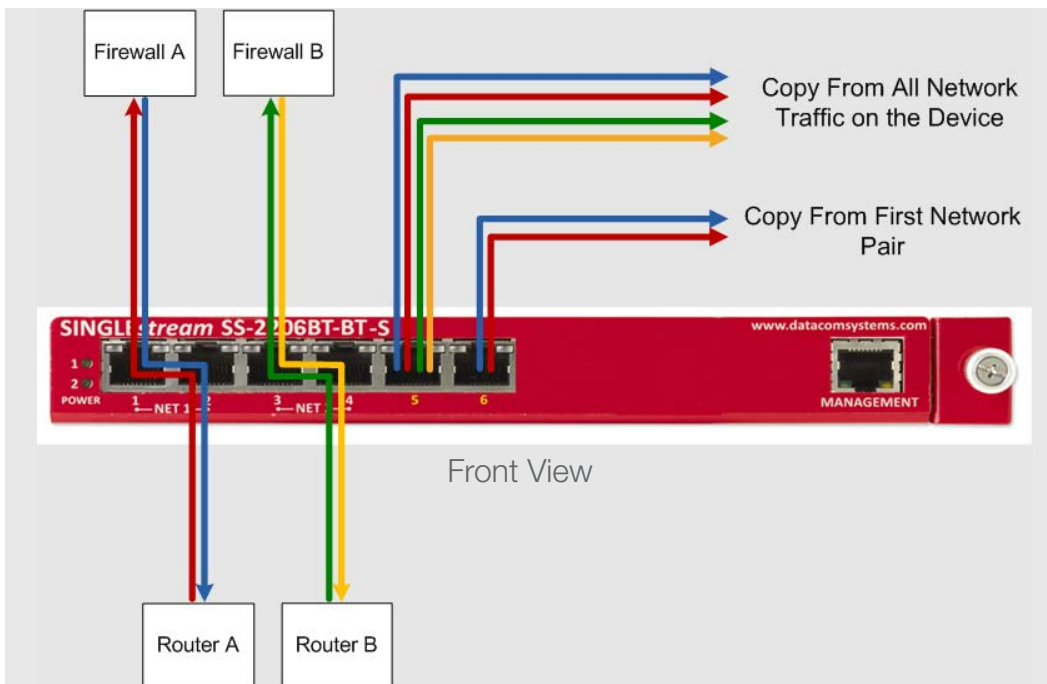
What is included?

- (1) SS-2206BT-BT-S w/ mounting bracket (for use with RMC-2 or RMC 12-2)
- (2) Power Supplies, Universal can be used worldwide (2) AC Power Cables (connector, in most cases, matches the country where the product is shipped)(1) DB-9 M-F Straight Through Serial Cable, 2m
- (1) Ethernet cable RJ45-RJ-45. 1m
- (1) CD with Flashutils software for upgrading firmware (1) Download Card (tells where to download more product information)

HYGGI&&S*6H6HG9hYbYh5DZca '8UuWa 'GngHa gk]''Hd'Uglb['YbYk cf_ ']'b_ 'UbX'a U YUWdmcZh YHfUZWFUj Y']b[']b' YUW XfYwcb'''H YWd]Yg Wb' VYU [fY] UhXhc[Yh Yf'lc'a U Y&]XbhW Wd]Ygcf VY'ZigYdUFY'''-b'ci f'Y Ua d'YV'ckzkYg'ck U HddXWbbWjcb Vlk Yb UZfYkU''UbXUfci hf''

Installation The SS-2206BT-BT-S Net ports A and B are inserted between two directly connected network devices (i.e. firewall and router). Traffic will flow between these network ports even if the tap is not powered. The clicking sound is normal, see below.

Connect monitoring devices or SPAN ports to ports 3 and 4. Ports 3 and 4 can be used as inputs or outputs. Default setting sends traffic from port 1 to port 2. See commands below to send traffic to/from ports 3 or 4.



What's that clicking sound?

That's the relay between ports 1 and 2, part of our LinkProtect feature.

For more information on how these relays can improve your network analysis visit our website.

Setup

- Default login: Administrator
- Default password: admin
- Read/Write Login: su
- Read/Write password: password
- Serial port settings 8-N-1 No flowcontrol
- Default IP address: 192.168.1.1



Back View

Common Commands

- help (shows available commands)
- show (shows product firmware and mgt port settings)
- se po sp 3 AUTO (sets port 3 speed to AUTO, 1000FULL, 100FULL)
- se po mo 3 from 1,2 (steers traffic from ports 1 and 2 to port 3)
- se po mo 4 from 1,2 (steers traffic from ports 1 and 2 to port 4)
- se po mo 3 from 1 (steers traffic from port 1 to 3)
- se po mo 3 off (clears any traffic from going to port 3)
- exit (always use this when you leave your telnet/serial session, it automatically saves the configuration)

Find out more. Visit www.datacomsystems.com

For More information

Customer Service is available from our website: www.datacomsystems.com or by calling +1 315 463 9541