



SINGLEstream™ 2210

Dual Link Aggregation Tap with 6 Monitoring Ports. SS-2210BT-BT/SFP-S

Provide Multiple Tool Access and Achieve Full-Duplex Visibility for Two (2) In-Line Network Links Even with Single Interface solutions

Aggregation

Monitoring full duplex network traffic from multiple sources is often a critical requirement for network monitoring applications. For example, in order to properly monitor redundant networks or a pair of load balanced links, network professionals might need to receive traffic simultaneously from two different network segments.

In some cases, two network links may be bound together and operate as one logical network in order to improve bandwidth. In such an implementation, packets are distributed across two different physical links. Often, traffic transmits on one segment and receives on another. This makes network analysis and monitoring especially challenging. If an analyzer or monitoring device is put on only one physical link, it will not see the entire conversation.

The SINGLEstream™ Dual Link Aggregation Tap can selectively combine a full duplex data stream to allow connected monitoring devices, even those with only one NIC to receive a copy of all the data collected from both taps in a single trace file.

LINKprotect™

Many traditional taps prevent the operation of redundant routing and failover systems because they keep both sides of the network invisible to the other. The built-in LINKprotect™ feature eliminates this point of network failure by continuously monitoring both sides of the tapped network for link status. If one side of the tap loses link status, LINKprotect™ will close the other side of the link, so routers and switches can engage protocols to bypass the failed link.

LINKprotect™ will also keep monitoring both sides of the link until repaired, where it can then automatically re-establish the primary link. Timers (polling and recovery) and link re-establishment settings (manual or auto) are all user-configurable on both sides of the link and provide a level of convenience and flexibility not previously available in copper Gigabit taps.

Regeneration

One-to-Many configurations replicate copies of identical network traffic to provide multiple tools monitoring access to the same links. In addition to eliminating contention for access to critical links, multiple tools can be connected to the same link for redundancy, testing, or advanced monitoring applications.

Reliable and Easy to Use

Unlike setting up operating systems and binding NICs, the SINGLEstream™ Link Aggregation Tap is simple to deploy, and every unit comes with dual redundant power supplies to ensure monitoring uptime.

Highlights

- View entire full-duplex conversations even across redundant links using single-interface monitoring tools
- Save money by reducing the number of required tools or tool interfaces necessary to monitor all your data
- Decreased reliance on switch resources for network management visibility
- Eliminate SPAN port contention, oversubscription, and configuration errors
- Deploy tools immediately without impacting your production network
- Easily share tap ports for improved monitoring without maintenance windows
- Single point of deployment and remote management minimizes management expenses and reduces MTTR
- One tool can monitor two network links.

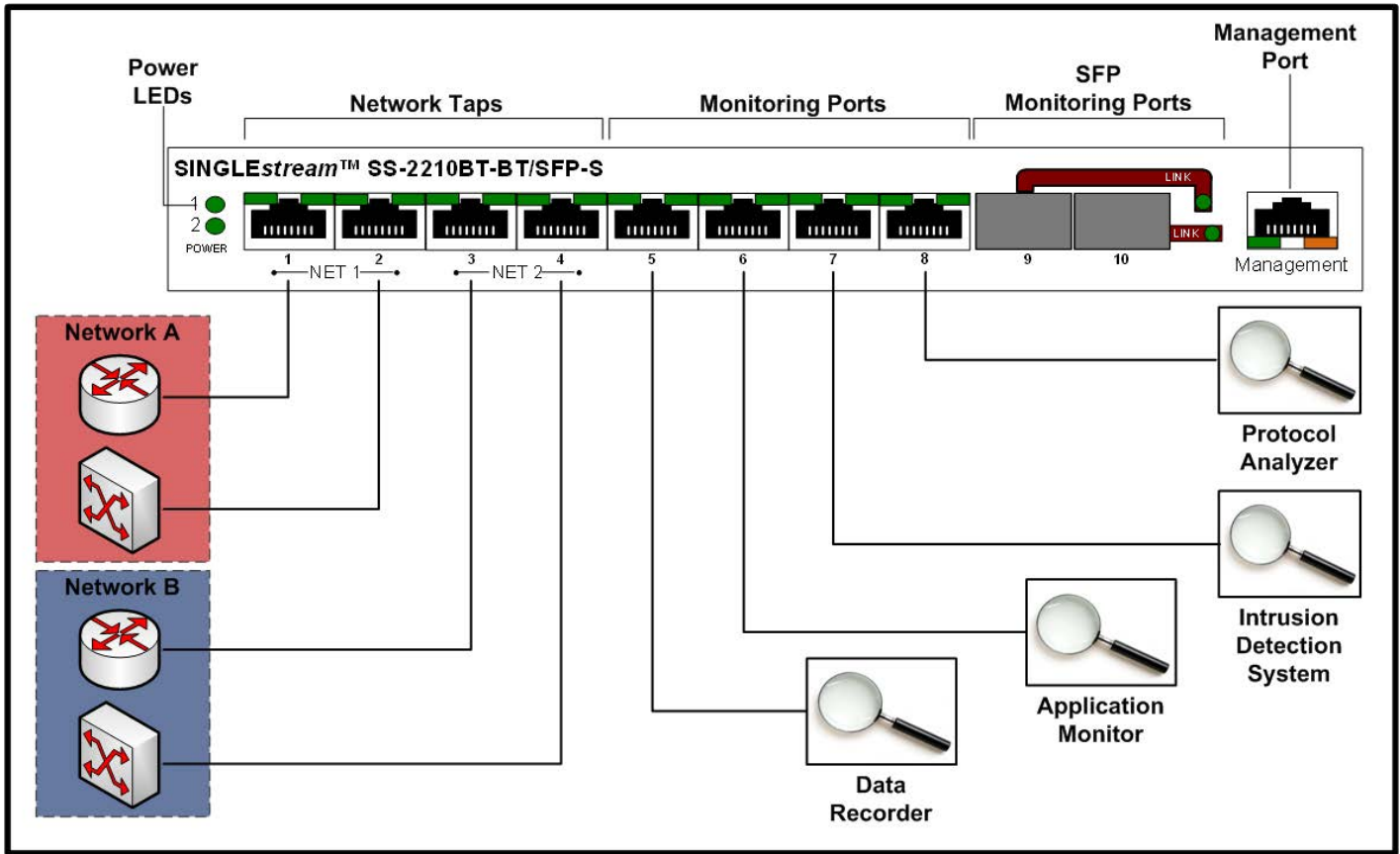
Features

- Aggregation - Receive copies of multiple network links or channels into one stream for visibility into complete network conversations
- LINKprotect™ - Ensure automatic failover and recovery of redundant paths and routing protocols
- Regeneration - Send copies of traffic from the tap to multiple connected tools to share data sources
- Any-to-Any - port steer traffic to different tools or turn monitoring ports into additional network ports to receive input from SPAN
- Port Speeds from 10 to 1000MB; supports full duplex, half duplex, or auto-negotiate
- SSH, SNMP v2c, v3
- Flexible traffic flow to monitoring tools - single-direction or bidirectional for traffic injection



SINGLEstream™ 2210

Dual Link Aggregation Tap with 6 Monitoring Ports. SS-2210BT-BT/SFP-S



Technical Specifications

PORTS

Network: Two (2) 10/100/1000 Network Taps (RJ45)
 Monitoring: Four (4) RJ45 and Two (2) SFP Any-to-Any Ports
 Management: RJ45 @ 100Mbps Full-Duplex
 Serial (rear): DB9F

POWER REQUIREMENTS

Two (2) External AC Adapters (included)
 Input: 100-240 VAC, 50-60Hz, 0.8A

CERTIFICATIONS

CE, RoHS, CAN ICES-3 (B)/NMB-3(B)

PHYSICAL DIMENSIONS (H x W x D)

1.10 x 8.00 x 7.00 in (2.79 x 20.32 x 17.78 cm)

WEIGHT

1.6 lbs (0.7 kgs)

ENVIRONMENT

Operating Temperature: 32° to 104°F (0° to 40°C)
 Storage Temperature: -22° to 149°F (-30° to 65°C)
 Humidity: 5 to 90% non-condensing

WARRANTY

One (1) Year Hardware Warranty included. Advanced Replacement-Next Day, Third Business Day options available.

ORDER INFORMATION

Product
 SS-2210BT-BT/SFP-S

Optional Equipment

SFP-SX
 SFP-LX
 SFP-RJ45
 RMC-2
 RMC-12-2
 RPS-12-5-AC (or -DC)

12-TAP 6U Rack Mount Chassis
 12-TAP Dual Redundant Rack Mountable Power Supply Unit (specify AC or DC)

Description

SINGLEstream™ Dual Link Aggregation Tap with 6 Monitoring Ports with SSH, SNMP

Find out more. Visit www.datacomsystems.com