

DATACOMsystems®
DS3/E3-PT

Quick Installation Guide

6 Connecting a DS3/E3-PT to the the Network

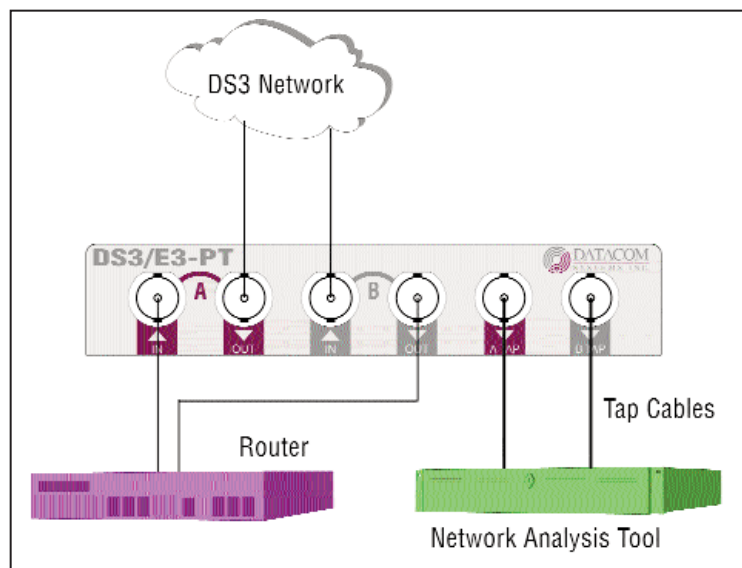


FIGURE 2 — DS3/E3-PT Simple Connectivity Diagram

To connect the DS3/E3-PT into the network, refer to **FIGURE 2** and follow these steps:

IMPORTANT: The maximum length of 400 feet must not be exceeded between end-points.

1. Connect one of the network device E3, DS3/T3, or STS-1 75 Ohm coaxial cables to the DS3/E3-PT BNC port **B IN** connector.
2. Connect the other E3, DS3/T3, or STS-1 75 Ohm coaxial cable of the step 1 device to the DS3/E3-PT BNC port **A OUT** connector.
3. Connect the other network device E3, DS3/T3, or STS-1 75 Ohm coaxial cable to the DS3/E3-PT BNC port **A IN** connector.
4. Connect the other E3, DS3/T3, or STS-1 75 Ohm coaxial cable of the step 3 device to the DS3/E3-PT BNC port **B OUT** connector.
5. Connect one Tap Cable from the DS3/E3-PT BNC port **A•TAP** connector to one port of the Network Analysis Tool interface card.
6. Connect the other Tap Cable from the DS3/E3-PT BNC port **B•TAP** connector to the other port of the Network Analysis Tool interface card.

Copyright

Copyright © 2010 by Datacom Systems, Inc. All rights reserved. Printed in the United States of America. No part of this publication may be reproduced, stored in a retrieval system, or transmitted, in any form or by any means, electronic, mechanical, photocopying, recording, or otherwise, without the prior written permission of Datacom Systems, Inc. To obtain this permission, write to the attention of the Datacom Systems legal department at 9 Adler Drive, East Syracuse, New York 13057-1290, or call 315-463-9541.



May 2010

Part Number: 541-0073-A.07

Customer Service

This Quick Installation Guide was written to help you get to know your new DS3/E3-PT quickly and easily. We would welcome any comments or suggestions you may have regarding this Quick Installation Guide. Please send your remarks and recommendations via mail, telephone, facsimile, or Internet E-mail. via telephone, facsimile, and Internet E-mail. please leave a voice message and our Customer Service Staff will return your call as soon as possible.

Mail: Datacom Systems, Inc.
Customer Service
9 Adler Drive
East Syracuse, NY 13057-1290

Tel: (315) 463-9541

FAX: (315) 463-9557

E-mail: support@datacomsystems.com

World Wide Web

You can obtain additional information about Datacom Systems, Inc. and its products/services at <http://www.datacomsystems.com> or support@datacomsystems.com.

Warranty

Datacom Systems, Inc. (DSI) warrants that the hardware which it supplies will be free from significant defects in materials and workmanship for a period of two years from the date of delivery (Warranty Period), under normal use and conditions. In the event of any such defect, you can return an item of defective hardware, freight prepaid, to DSI during the Warranty Period, and DSI will repair or replace the defective equipment and return it to you, freight prepaid. If DSI determines that the equipment is not defective, it will return it to you, freight collect. DSI shall have no responsibility for any deficiency resulting from accidents, misuse, modifications, power disturbances (including use of a power supply not specified by DSI), or various other forms of disaster, e.g., earthquakes, floods, etc.

PLEASE DO NOT ATTEMPT TO RETURN ANY ITEM PRIOR TO RECEIVING A RETURN MATERIAL AUTHORIZATION (RMA) NUMBER FROM DATACOM CUSTOMER SERVICE AT (315) 463-9541

Limitation On Liability

The warranties set forth above are exclusive and in lieu of all other warranties. Datacom Systems, Inc. (DSI) makes no other warranties, expressed or implied, and DSI expressly disclaims all other warranties, including but not limited to implied warranties of merchantability and fitness for a particular purpose. Moreover, the provisions set forth above state DSI's entire responsibility and your sole and exclusive remedy with respect to any breach of warranty or contract.

No liability for consequential damages. Under no circumstances and under no theory of Liability shall DSI be liable for costs of procurement of substitute products or services, lost profits, lost savings, loss of information or data, or any other special, indirect, consequential or incidental damages, arising in any way out of the sale of, use of, or inability to use, any DSI product or service, even if DSI has been advised of the possibility of such damages.

1 What's in the Package



Instructions



DS3/E3-PT

2 Introduction

The DS3/E3-PT is a single port passive device that provides a easy method to passively monitor network traffic flowing between E3, DS3/T3, or STS-1 devices using your network analysis tools. Using your passive tap, your network analysis tools can be quickly and effectively deployed to the point of failure. Typically the passive tap is installed on a critical E3, DS3/T3, or STS-1 link in the network where monitoring and analysis capabilities are important.

DS3/E3-PT features and benefits:

- Optimized E3, DS3/T3, and STS-1 compatible
- Full duplex monitoring
- Non-intrusive passive monitoring device
- Fully isolate Tx and Rx circuitry
- Rack mountable small form factor
- Standard BNC coaxial connectors

4 Installing a DS3/E3-PT in an Equipment Rack

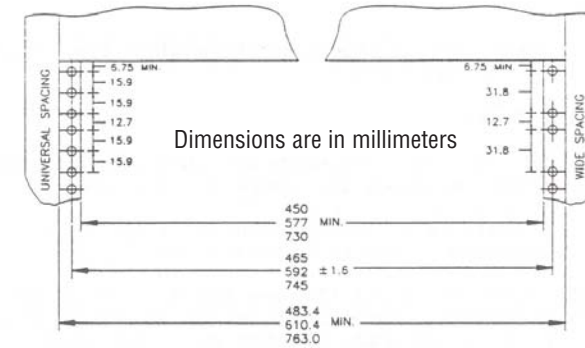
Prior to putting the DS3/E3-PT in a standard 19-inch rack you may want to contact your DS3/E3-PT representative to discuss a rack mount option or ...



DS3/E3-PT with thumbscrew bracket to mount in RMC-3 rack mount

In any case, a couple of equipment considerations should be noted:

- Do you have universal or wide spacing flanges?
- The DS3/E3-PT occupies 1 unit of space when properly fastened in a universal flange. The DS3/E3-PT occupies part of 2 adjoining units of space when improperly fastened in a wide spacing hole of a universal or wide-space flange.



ANSI/EIA-310-D-1992 Mounting Flange Dimensional Requirements

3 DS3/E3-PT Specifications

Feature	Specification
Channel	One
Cable Type	75 Ohm Coaxial
Line Rate	Supports up to 51.84 Mbps <ul style="list-style-type: none"> • E3 — 34.368 Mbps • DS3/T3 — 44.736 Mbps • STS-1 — 51.84 Mbps
Line Coding	Supports all E3, DS3/T3, and STS-1 Line Coding
Port Connectivity	A TAP and B TAP A IN and A OUT B IN and B OUT
In-Band Insertion Loss	-3.2 dBm, typical, from input to either output
Distance Limitation	400 Feet maximum length from either network input cable start-point to either output cable end-point
Power Requirements	None
Operating Temperature	0° to 40° C (32° to 104° F)
Storage Temperature	-30° to 65° C (-22° to 149° F)
Humidity	Less than 95° C non-condensing
Dimensions	1.10" (H) x 5.75" (W) x 5.75" (D) (includes rack mount bracket) 28 mm (H) x 146 mm (W) x 146 mm (D)
Weight	Unit - 12 ounces; Shipping - 1¼ pounds



Three devices shown mounted in rack mount option

5 Functional Operation

Refer to FIGURE 1 for a diagram of the functional operation of the DS3/E3-PT.

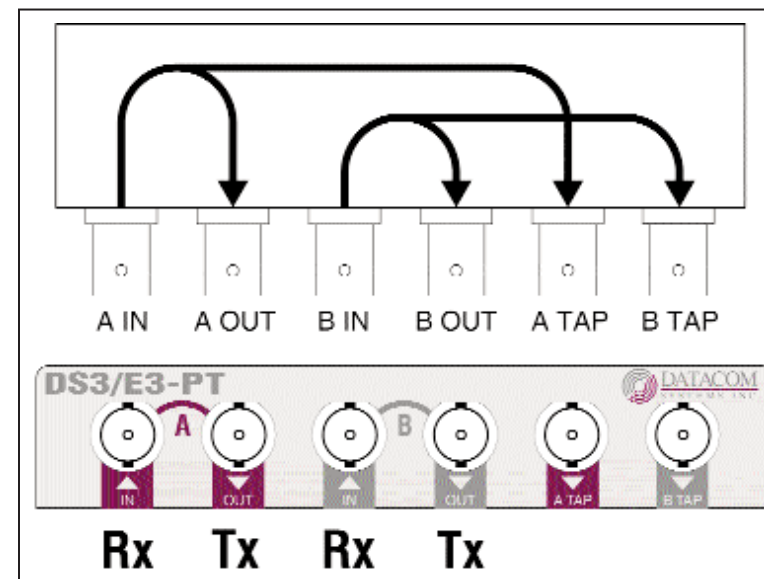


FIGURE 1 — DS3/E3-PT Functional Diagram