

Any-to-Any Connectivity, Aggregation, and Port Regeneration for Increased Network Visibility, Easier Tool Deployment, and Increased ROI



The Need for Greater Network Visibility

Today's new business challenges require network and security professionals to monitor and analyze more links in greater detail throughout the network. At the same time, networks are growing more complex, carrying more services across the same cables, and requiring flexibility to accommodate ever-evolving compliance requirements. In order to meet growing performance and security demands, network monitoring tools must be accessible, easy to deploy, and allow business professionals to quickly zero in on the critical data they need.

Meanwhile, the daily productivity of IT staffs is suffering and costing organizations thousands of dollars due to the lack of network access points. Some of the challenges are:

- » Lengthy waits for service windows and network configuration changes
- » Downtime resulting from user error and improper network configurations
- » Time to make and break network connections to external taps and SPAN Ports or deploy on-site troubleshooting
- » Tools not being utilized because they don't have the access or the capability to receive all the data they need to do their job

Optimizing Network Visibility and Data Access

The Datacom Systems Versasream helps solve many of today's most pressing tool deployment problems by allowing companies to conveniently connect test and monitoring tools to any traffic on the network. Not only does this provide access capabilities to leverage network tools throughout the enterprise, it allows multiple departments with different needs to share tools and network access

points with remote and centralized control.

Robust Connectivity Options



Aggregation (*Many-to-Any*)

Many-to-Any monitoring access aggregates network traffic and provides visibility for one or more monitoring tools into multiple network segments. Aggregate and reassemble full duplex conversations from one or more trunked links. Perfect for tools that don't support multiple monitoring interfaces or for redundant networks, EtherChannel, load balanced servers, and asymmetrically routed traffic.



Regeneration (*Any-to-Many*)

Any-to-Many configurations replicate copies of identical network traffic to provide multiple tools monitoring access to the same links. In addition to eliminating contention for scarce SPAN ports and test access points, multiple tools can be connected to the same link for redundancy, testing, or advanced monitoring applications.



Port Steering (*Any-to-Any*)

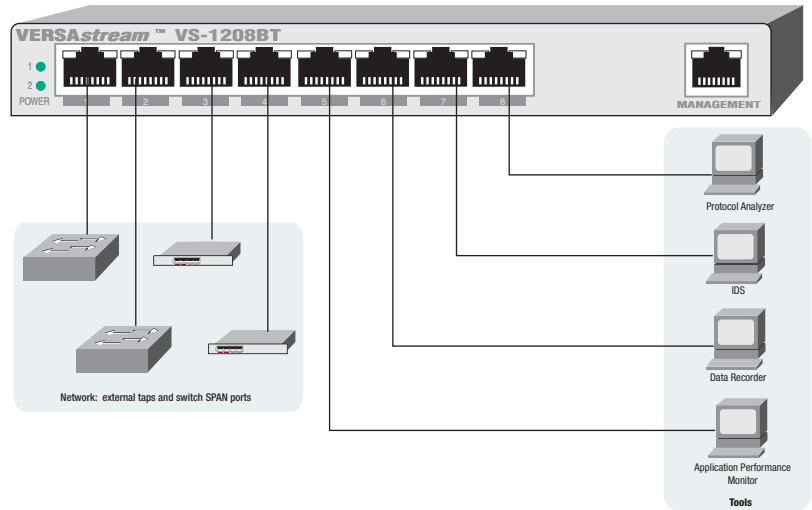
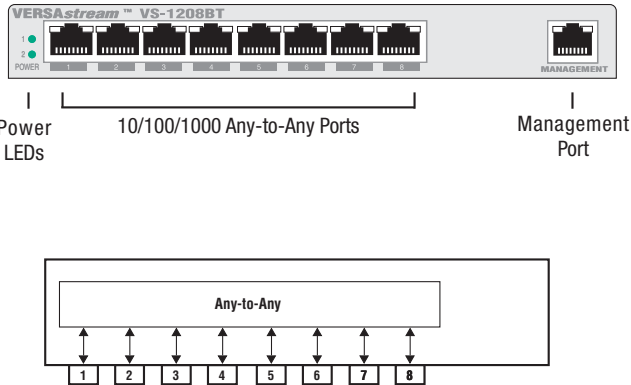
Any of the Versasream's eight (8) ports can be configured as input (network) or output (monitoring) ports on the fly through easy to use command line interface (CLI). Any monitoring port can receive traffic from any of the other ports, eliminating the need for network managers to change complex network configurations or move tools around their network.

Benefits

- Consolidate monitoring tools to reduce management expenses and lower tool costs
- Single point of deployment and remote management minimizes management expenses and reduces MTTR
- Deploy tools right away without impacting your production network
- Keep all your tools plugged in while troubleshooting
- Easily share scarce SPAN ports and test access points without maintenance windows or approval
- Provide immediate network access for new compliance monitors

Features

- Port Steering - Any-to-Any connectivity solves tool deployment problems and eliminates the need to change network configurations
- Aggregation - Combine multiple network links or channels into one stream for visibility into complete network conversations
- Regeneration - Send copies of traffic to multiple connected tools to share data sources
- Port speeds from 10 to 1000 MB
- Increased visibility without introducing a point of failure on the network
- SSH, SNMPv3
- Compatible with all major manufacturers' monitoring systems and analyzers
- Dual Redundant Power ensures monitoring uptime

VERSAsstream™ 8-Port (BT) Data Access Switch
VS-1208BT-S


Technical Specifications - VS-1208BT-S

ANY TO ANY PORTS

Eight (8) RJ45 10/100/1000 Ports

MANAGEMENT PORT (FRONT)

RJ45 @ 100Mbps Full-Duplex

SERIAL PORT (REAR)

DB9F

POWER REQUIREMENTS

Two (2) External AC Adapters (Included)

Input: 100-240VAC, 50-60Hz, 0.4-0.2A

Output: 5VDC, 2.5A

CERTIFICATIONS

CE

Fully RoHS Compliant

DIMENSIONS (HXWXD)

1.10 x 8.00 x 7.005 in (2.794 x 20.32 x 17.78 cm)

WEIGHT

1.6 lbs. (0.7 kgs)

ENVIRONMENTAL

Operating Temperature: 32° to 104°F (0° to 40°C)

Storage Temperature: -22° to 149°F (-30° to 65°C)

Humidity: 5 to 90% non-condensing

WARRANTY

Two (2) Year Limited Warranty

ORDER INFORMATION

Product

VS-1208BT-S

Description

VERSAsstream™ 8-Port (BT) Data Access Switch (8 - 10/100/1000 Any-to-Any Ports), with SSH, SNMP

Optional Equipment

RMC-2

2-Tap 1U Rack Mount Chassis

RMC-12-2

12-Tap 6U Rack Mount Chassis

RPS-12-5-AC (or -DC)

12-Tap Dual Redundant Rack Mountable Power Supply Unit (specify AC or DC)



universal power