

Apply port level packet filtering to your data, so you can easily ensure your network and security tools only receive traffic of interest.



Collect only the data YOU want and Increase Tool Efficiency

The SINGLEstream™ Aggregation Tap w/ Filtering gives you the power to apply port level packet filtering to your data, so you can easily ensure your network and security tools only receive traffic of interest.

Prevent Port Oversubscription and Data Overload

Line-rate filtering provides you the ability to eliminate unwanted traffic from your analysis tools or security sensors. With less data to work with, network devices run faster and more effectively. While filtering can eliminate the possibility of port oversubscription, providing an effective solution, especially for software-based monitoring systems.

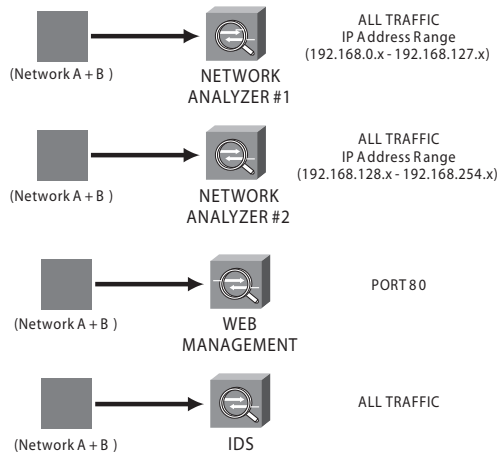
Eliminate Bottlenecks - Load Balance your Network and your Network Tools

Using the built-in technologies of link aggregation, regeneration, and filtering, you can quickly and easily load balance both your network and your network tools and eliminate bottlenecks.

Aggregation lets you load balance your network with confidence. The Filtered SINGLEstream™ will combine one or more full duplex streams of data from one or more network segments, reassemble the conversation, and send an exact copy to your connected monitoring device.

Regeneration allows you to attach more than one device to a single network segment. Connect an analyzer and a security sensor to the same link, and you can troubleshoot your network without having to disconnect your IDS.

Add filtering, and you can send only the data you want to each tool, improving monitoring efficiency, speed, and network uptime.



Monitor Asymmetrically Routed Data with Ease

Aggregate and reassemble full duplex conversations from multi-trunked links, redundant networks, EtherChannel, load balanced servers, and asymmetrically routed traffic

Simultaneously monitor data at multiple points on the network with the same set of devices for a complete end-to-end view of your traffic

Fewer Tools to Manage - Save Time and Money

Aggregation lets you combine multiple network segments into one output of data, so you can use as little as one tool to monitor multiple networks. Central deployment saves time, while fewer tools saves money on deployment and ongoing maintenance and licensing costs.

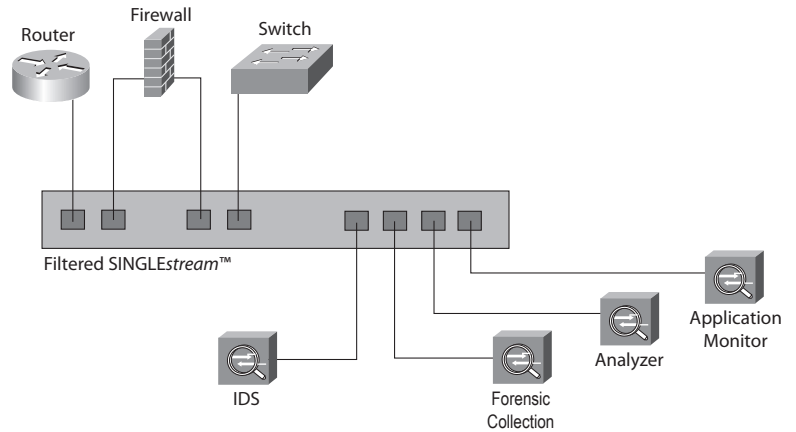
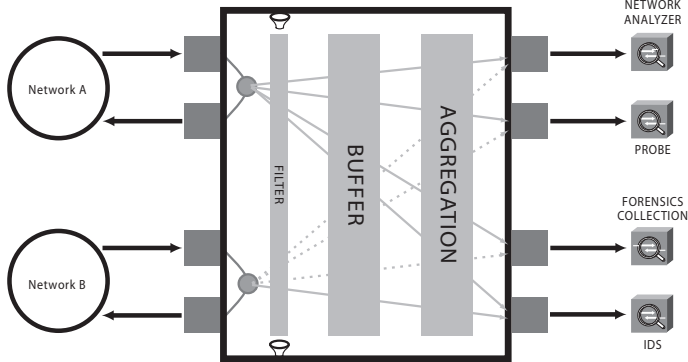
Empower your Legacy Network Devices

Don't throw out your old tools - empower them! With proper uses of filtering, you can use a 10/100 tool to monitor a Gigabit network. Available in fiber and copper, the Filtered SINGLEstream™ Link Aggregation Tap can maximize the ROI of your existing network devices.

With the Filtered SINGLEstream's flexible "any to any" architecture, you can designate the port assignments to meet your specific needs. Any of the connected monitoring devices can see any of the connected network links. You can also quickly and easily change and customize port assignments on the fly with software, so there is no need to disconnect and reconnect any of the physical links if you want to assign a different tool to view a different network segment.

Additional Features & Benefits

- Flexible network connectivity - Small form pluggables (SFP) allow you to connect up to four (4) SX, LX, or 10/100/1000 monitoring tools. Network ports are available in both fiber and copper.
- Easy to use client management interface – simply access and manage from anywhere in your network.
- Built-in 512MB buffer manages utilization overflow and significantly reduces chances of port over-subscription.
- Dual redundant power supplies insure seamless monitoring even if the main power source is unavailable.
- Easy to install – 1U space-saving design fits conventional 19" rack.

FILTERED SINGLEstream™ DUAL LINK AGGREGATION TAP
FSS-2000 SERIES


Technical Specifications - FSS-2000

CONNECTORS

Network: Two (2) RJ45 or LC (SX or LX) Network Taps
 Monitor: Four (4) RJ45 or SFP (LX or SX) Monitoring Ports
 Management: RJ45
 Configuration: DB9F Serial

POWER

5VDC, 1.5A Redundant Power Supplies
 Source Voltage: 85-264 Volts AC
 Frequency Range: 47-63 Hz

CERTIFICATIONS

CE
 RoHS Compliant

PHYSICAL DIMENSIONS (H X W X D)

1.75 x 19.00 x 11.75 in
 (4.45 x 48.26 x 53.35 cm)

WEIGHT

7.00 lbs
 3.18 kgs

ENVIRONMENTAL

Operating Temperature: 32° to 104°F (0° to 40°C)
 Storage Temperature: -22° to 149°F (-30° to 65°C)
 Humidity: 5 to 90% non-condensing

WARRANTY

One (1) Year Limited Warranty (Support Contract Required)

ORDER INFORMATION

Product	Description
FSS-2000BT	FILTERED SINGLEstream™ DUAL LINK AGGREGATION TAP (BT to BT)
FSS-2000BT/SX	FILTERED SINGLEstream™ DUAL LINK AGGREGATION TAP (BT to SFP-SX)
FSS-2000BT/LX	FILTERED SINGLEstream™ DUAL LINK AGGREGATION TAP (BT to SFP-LX)
FSS-2000SX	FILTERED SINGLEstream™ DUAL LINK AGGREGATION TAP (SX to SFP-SX)
FSS-2000LX	FILTERED SINGLEstream™ DUAL LINK AGGREGATION TAP (LX to SFP-LX)
SFP-SX	SX GIGABIT SMALL FORM PLUGGABLE
SFP-LX	SX GIGABIT SMALL FORM PLUGGABLE
S-FSS-2000	One (1) Year Hardware and Software Support