

Apply port level packet filtering to your data, so you can easily ensure your network and security tools only receive traffic of interest.



### Collect only the data YOU want and Increase Tool Efficiency

The SINGLEstream™ Aggregation Tap w/ Filtering gives you the power to apply port level packet filtering to your data, so you can easily ensure your network and security tools only receive traffic of interest.

### Prevent Port Oversubscription and Data Overload

Line-rate filtering provides you the ability to eliminate unwanted traffic from your analysis tools or security sensors. With less data to work with, network devices run faster and more effectively. While filtering can eliminate the possibility of port oversubscription, providing an effective solution, especially for software-based monitoring systems.

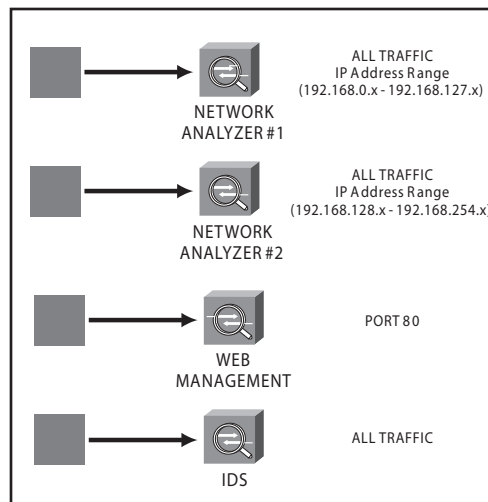
### Load Balance your Network Tools

Using the built-in technologies of link regeneration and filtering, you can quickly and easily distribute traffic to multiple tools and eliminate bottlenecks.

The Filtered SINGLEstream™ will combine and reassemble both sides of a full duplex conversation in time stamp order, so your network tools don't have to, while regeneration allows you to receive up to four copies of the data, so you can attach more than one device to a single network segment. For example, connect an analyzer and a security sensor to the same link, and you can troubleshoot your network without having to disconnect your IDS.

Add filtering, and you can send only the data you want to each tool, improving monitoring efficiency, speed, and network uptime.

### Filter up to Four (4) Copies of One Data Stream



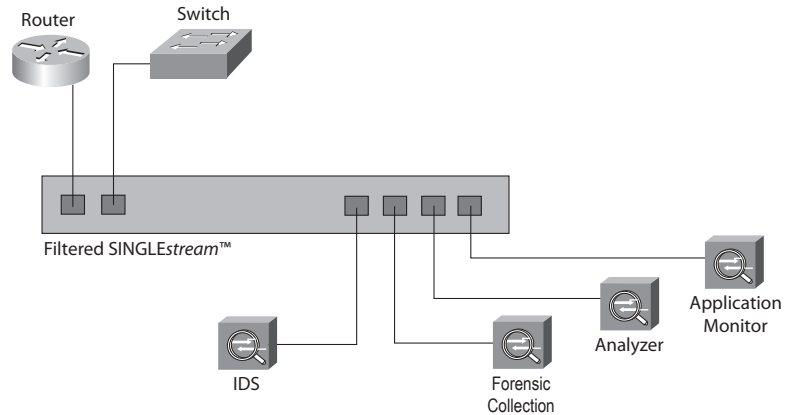
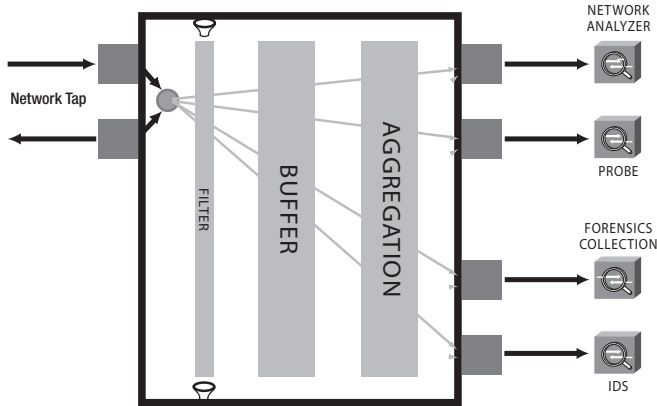
### Empower your Legacy Network Devices

Don't throw out your old tools - empower them! With proper uses of filtering, you can use a 10/100 tool to monitor a Gigabit network. Available in fiber and copper, the Filtered SINGLEstream™ Link Aggregation Tap can maximize the ROI of your existing network devices.

With the Filtered SINGLEstream's flexible "any to any" architecture, you can designate the port assignments to meet your specific needs. Any of the connected monitoring devices can see any of the connected network links. You can also quickly and easily change and customize port assignments on the fly with software, so there is no need to disconnect and reconnect any of the physical links if you want to assign a different tool to view a different network segment.

### Additional Features & Benefits

- Flexible network connectivity - Small form pluggables (SFP) allow you to connect up to four (4) SX, LX, or 10/100/1000 monitoring tools. Network ports are available in both fiber and copper.
- Easy to use client management interface – simply access and manage from anywhere in your network.
- Built-in 512MB buffer manages utilization overflow and significantly reduces chances of port over-subscription.
- Dual redundant power supplies insure seamless monitoring even if the main power source is unavailable.
- Easy to install – 1U space-saving design fits conventional 19" rack.

**FILTERED SINGLEstream™ LINK AGGREGATION TAP**  
**FSS-1000 SERIES**


### Technical Specifications - FSS-1000

**CONNECTORS**

Network: One (1) RJ45 or LC (SX or LX) Network Tap  
 Monitor: Four (4) RJ45 or SFP (LX or SX) Monitoring Ports  
 Management: RJ45  
 Configuration: DB9F Serial

**POWER**

5VDC, 1.5A Redundant Power Supplies  
 Source Voltage: 85-264 Volts AC  
 Frequency Range: 47-63 Hz

**CERTIFICATIONS**

CE  
 RoHS Compliant

**PHYSICAL DIMENSIONS (H X W X D)**

1.75 x 19.00 x 11.75 in  
 (4.45 x 48.26 x 53.35 cm)

**WEIGHT**

7.00 lbs  
 3.18 kgs

**ENVIRONMENTAL**

Operating Temperature: 32° to 104°F (0° to 40°C)  
 Storage Temperature: -22° to 149°F (-30° to 65°C)  
 Humidity: 5 to 90% non-condensing

**WARRANTY**

One (1) Year Limited Warranty (Support Contract Required)

**ORDER INFORMATION**

Product	Description
FSS-1000BT	FILTERED SINGLEstream™ LINK AGGREGATION TAP (BT to BT)
FSS-1000SX	FILTERED SINGLEstream™ LINK AGGREGATION TAP (SX to SFP)
FSS-1000LX	FILTERED SINGLEstream™ LINK AGGREGATION TAP (LX to SFP)
SFP-SX	SX GIGABIT SMALL FORM PLUGGABLE
SFP-LX	SX GIGABIT SMALL FORM PLUGGABLE
S-FSS-1000	One (1) Year Hardware and Software Support