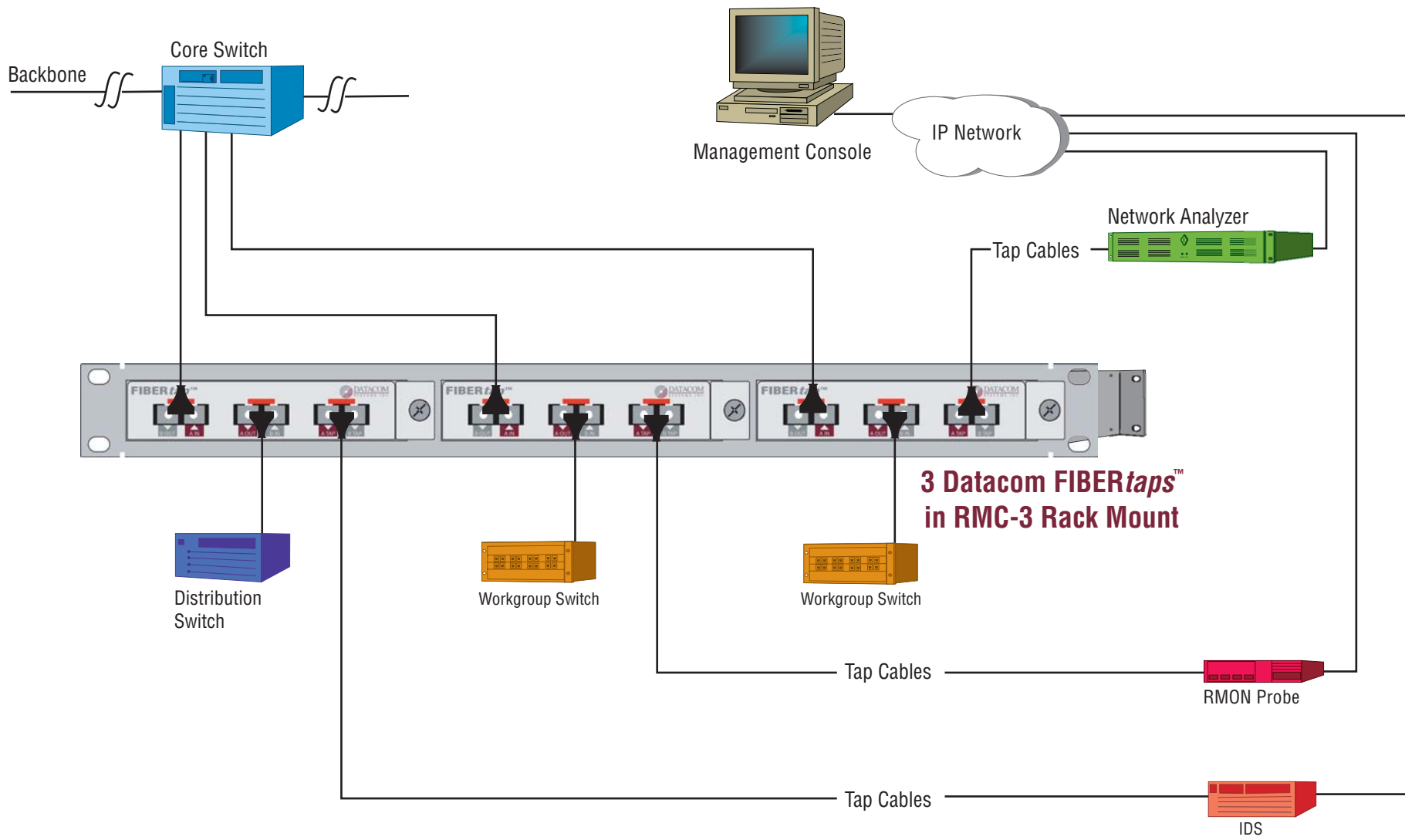


FIBERtap™ Application



NOTE: Split ratio 50/50 or custom order. Multimode 62 or 50 micron. Single-mode 9 micron.

Tap Cables: DRL408-2m for M or DRL 438-2m for S